



# All-Wheel-Dumper



Snowblade



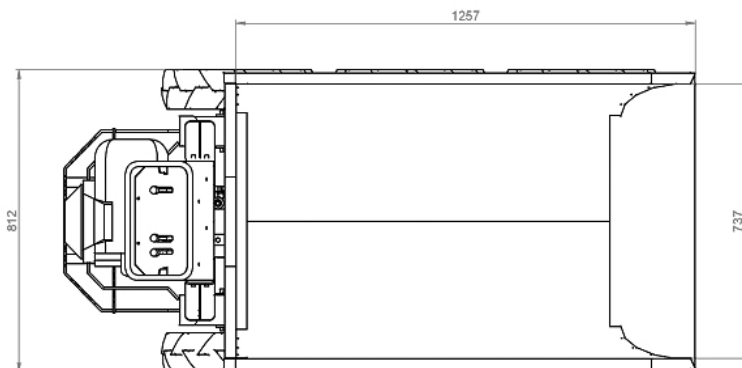
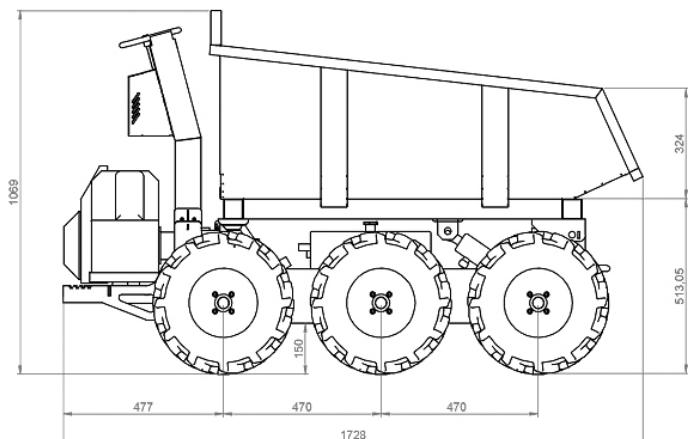
Loading Crane

**AC 600 M**



# All-Wheel-Dumper AC 600 M

## Technical Data



<b>Engine</b>	
Honda	GX 200
Type	1 cyl. / 4- stroke
Displacement	200 cm <sup>3</sup>
Engine output	4,8 kW (6,5 HP)
Revolution speed	3600/rpm
Starter	reversing
Air filter	dry cell
Fuel filter	gauze



<b>Drive</b>	hydrostatic
<b>Guidance</b>	hydraulic motor
<b>Characteristic</b>	hydraulic tipping device



<b>Operational characteristics</b>	
Machine weight	280 kg
Max. carrying capacity	600 kg
Max. operating weight (with load)	880 kg
Tipping device	hydraulic
Climbing ability	max. 26° (50%)
Speed range	0 - 4 kph
Oil pressure	170 bar
Flow rate oil pumps	6 ltr./min.



**Baumaschinen GmbH**

Niederhöchstädter Str. 71-73 D-61476 Kronberg  
 Tel.: 0049-(0)6173-68558 Fax: 0049-(0)6173-68548  
 E-Mail: info@powerpac.de Internet: www.powerpac.de

Authorised dealer: