



All-Wheel-Dumper



Snowblade



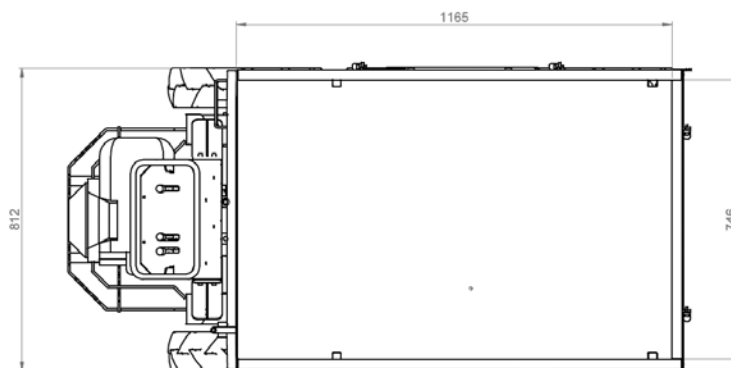
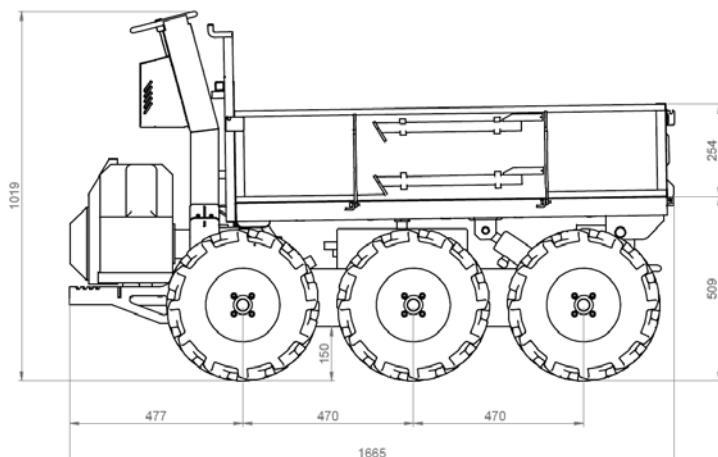
Loading Crane

AC 600 P



All-Wheel-Dumper AC 600 P

Technical Data



Engine	
Honda	GX 200
Type	1 cyl. / 4- stroke
Displacement	200 cm ³
Engine output	4,8 kW (6,5 HP)
Revolution speed	3600/rpm
Starter	reversing
Air filter	dry cell
Fuel filter	gauze



Drive	hydrostatic
Guidance	hydraulic motor
Characteristic	hydraulic tipping device



Operational characteristics	
Machine weight	280 kg
Max. carrying capacity	600 kg
Max. operating weight (with load)	880 kg
Tipping device	hydraulic
Climbing ability	max. 26° (50%)
Speed range	0 - 4 kph
Oil pressure	170 bar
Flow rate oil pumps	6 ltr./min.



Baumaschinen GmbH

Niederhöchstädter Str. 71-73 D-61476 Kronberg
Tel.: 0049-(0)6173-68558 Fax: 0049-(0)6173-68548
E-Mail: info@powerpac.de Internet: www.powerpac.de

Authorised dealer: