



Track-Dumper



Snowblade

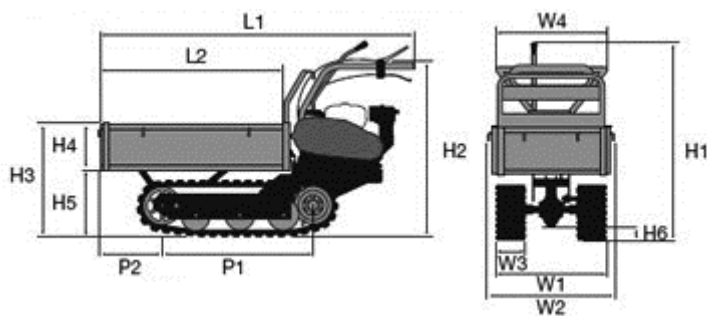


RC 360



Track-Dumper RC 360

Technical Data



mm

L1	1530-1665
L2	925-1060
H1	965
H2	885
H3	570
H4	240
H5	330
H6	65
W1	590
W2	603-983
W3	170
W4	520-900
P1	690
P2	415-550

Engine	
Honda	GCV 160
Type	1 cyl. / 4-stroke
Displacement	135 cm ³
Engine output	3,3 kW (4,5 HP)
Revolution speed	3600/rpm
Starter	reversing starter
Air filter	dry cell
Fuel filter	gauze



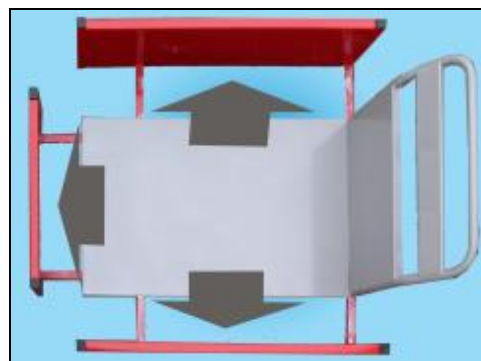
yellow = lever
red = throttle
black = steering brakes

Drive	toothed gearing
Brake	automatic safety brake
Guidance	steering brake
Load carrying beds adjustable	bed length adjustable 925-1060 mm bed width adjustable 603-983 mm load height 240 mm
Characteristic	The loading area can be increased by pulling out the load carrying beds Load carrying beds can be pull out complete



unlock and tip
mechanical by hand

Operational characteristics	
Weight	140 kg
Payload max.	360 kg
Tipping device	mechanical
Climbing ability	max. 26° (50%)
Working speed	1,60 Km/h 1st gear forward 3,60 Km/h 2nd gear forward 1,40 Km/h 1st gear reverse 3,40 Km/h 2nd gear reverse



Authorised dealer:



Baumaschinen GmbH

Niederhöchstädter Str. 71-73 D-61476 Kronberg
Tel.: 0049-(0)6173-68558 Fax: 0049-(0)6173-68548
E-Mail: info@powerpac.de Internet: www.powerpac.de